



PAVER THICKNESS / JOIST SPAN TABLE

Use the following Table to determine the required joist size based on the chosen paver thickness and the span (or length "L") of the deck joists – see Figure 1

		PAVER OR NATURAL STONE THICKNESS				
		20 mm	40 mm	50 mm	60 mm	70 mm
JOIST SIZE	150 X 50	2.66 m	2.56 m	2.48 m	2.26 m	2.18 m
	200 X 50	3.45 m	3.27 m	3.04 m	2.89 m	2.79 m
	250 X 50	4.14 m	3.91 m	3.63 m	3.45 m	3.32 m
	300 X 50	4.87 m	4.62 m	4.29 m	4.06 m	3.91 m

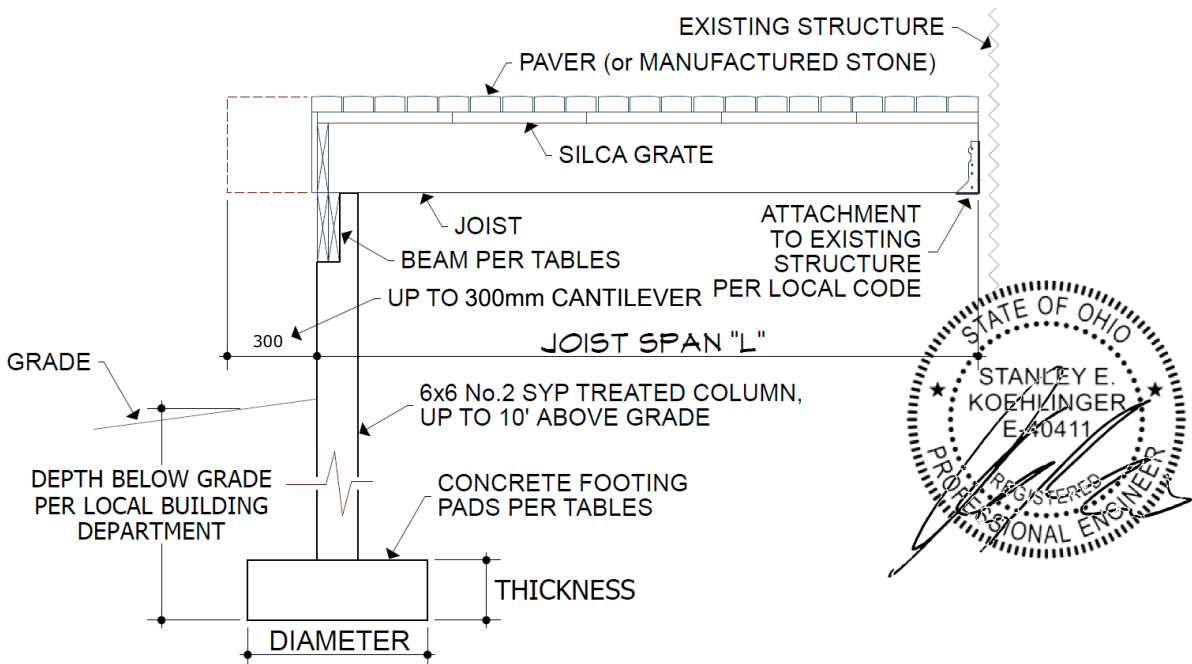


Figure 1.