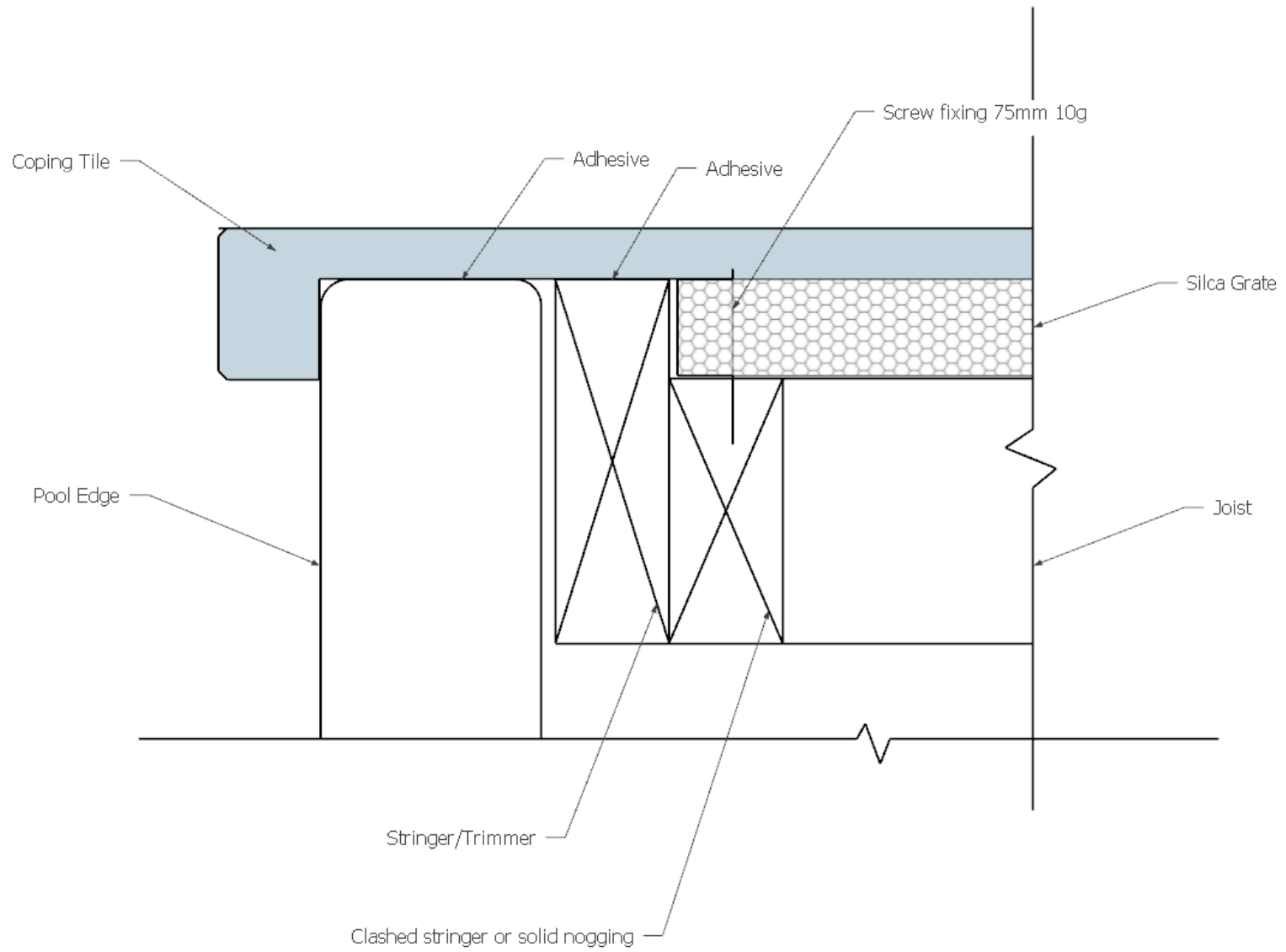
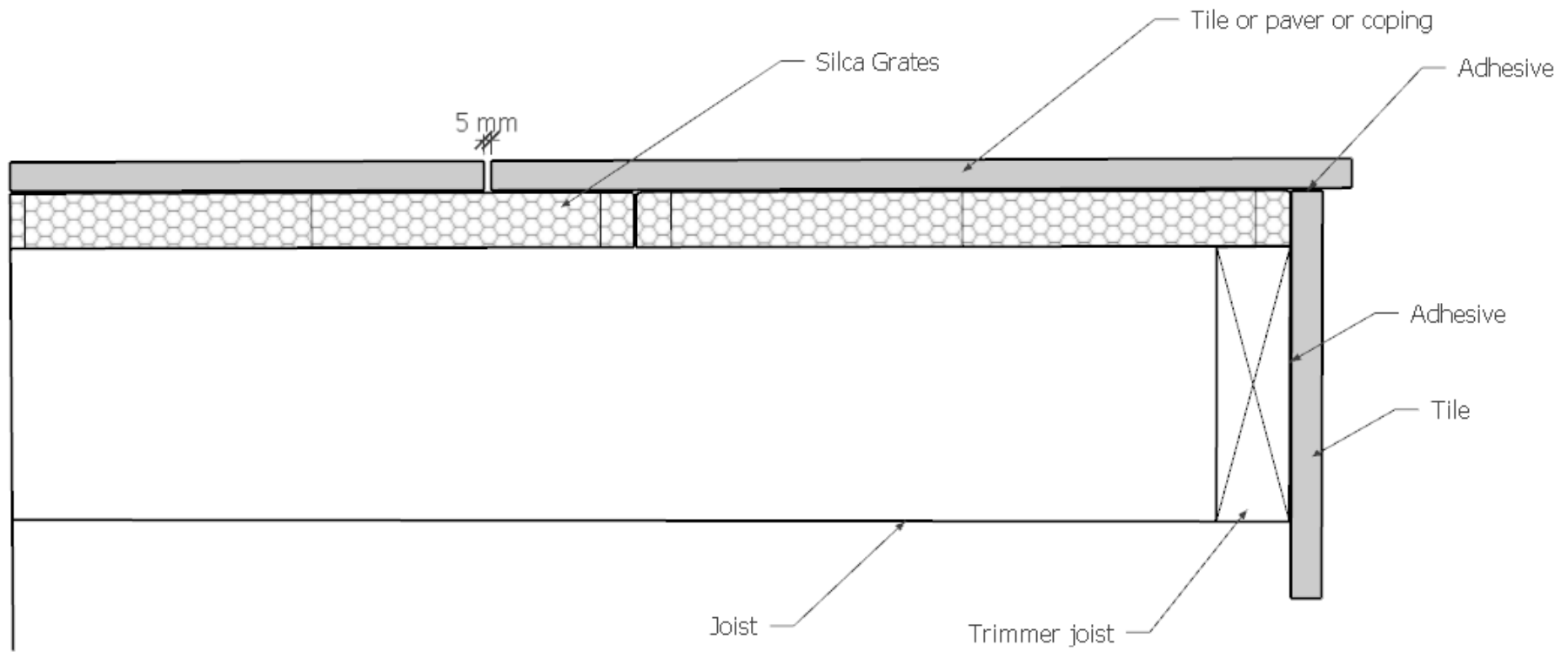


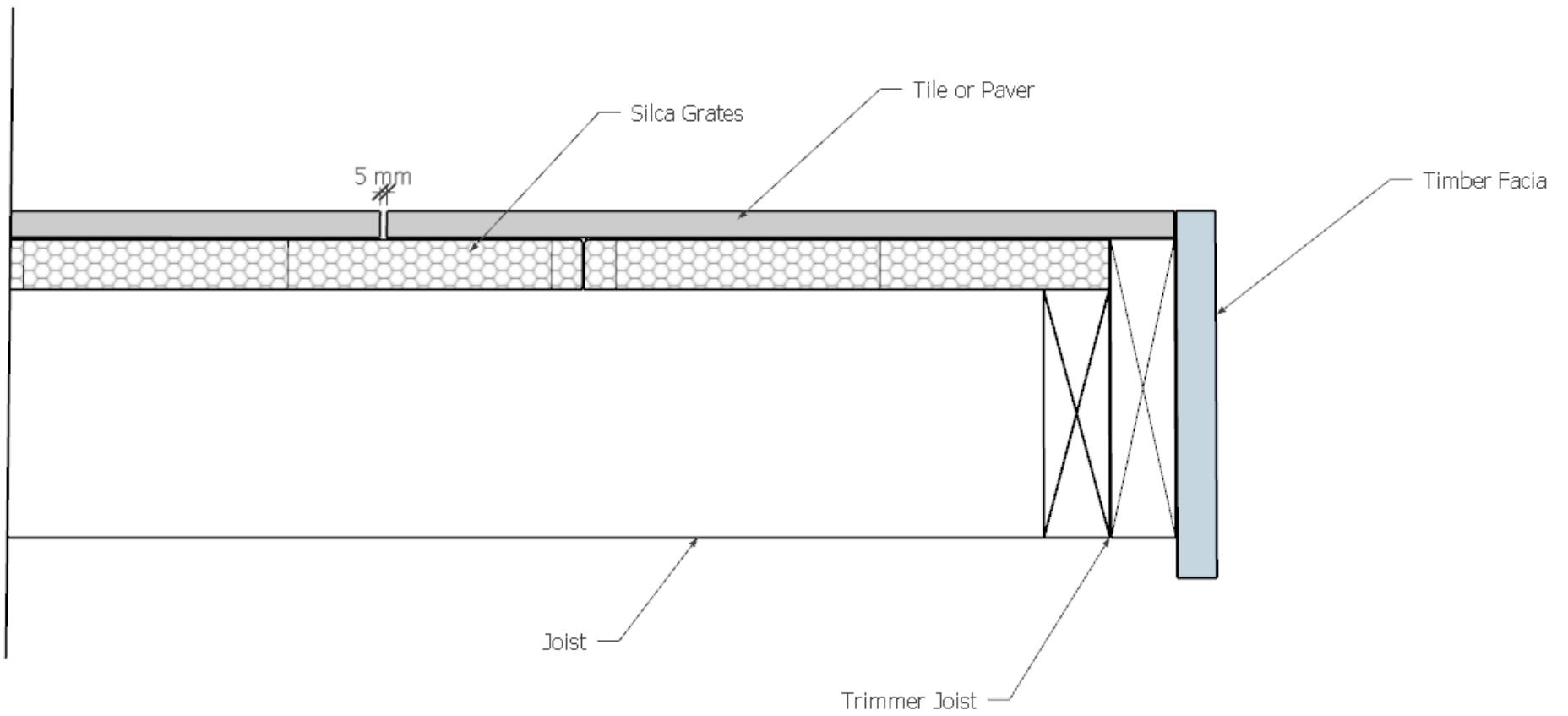
SECTION 6	Balustrade Top Mount	Silca System NZ



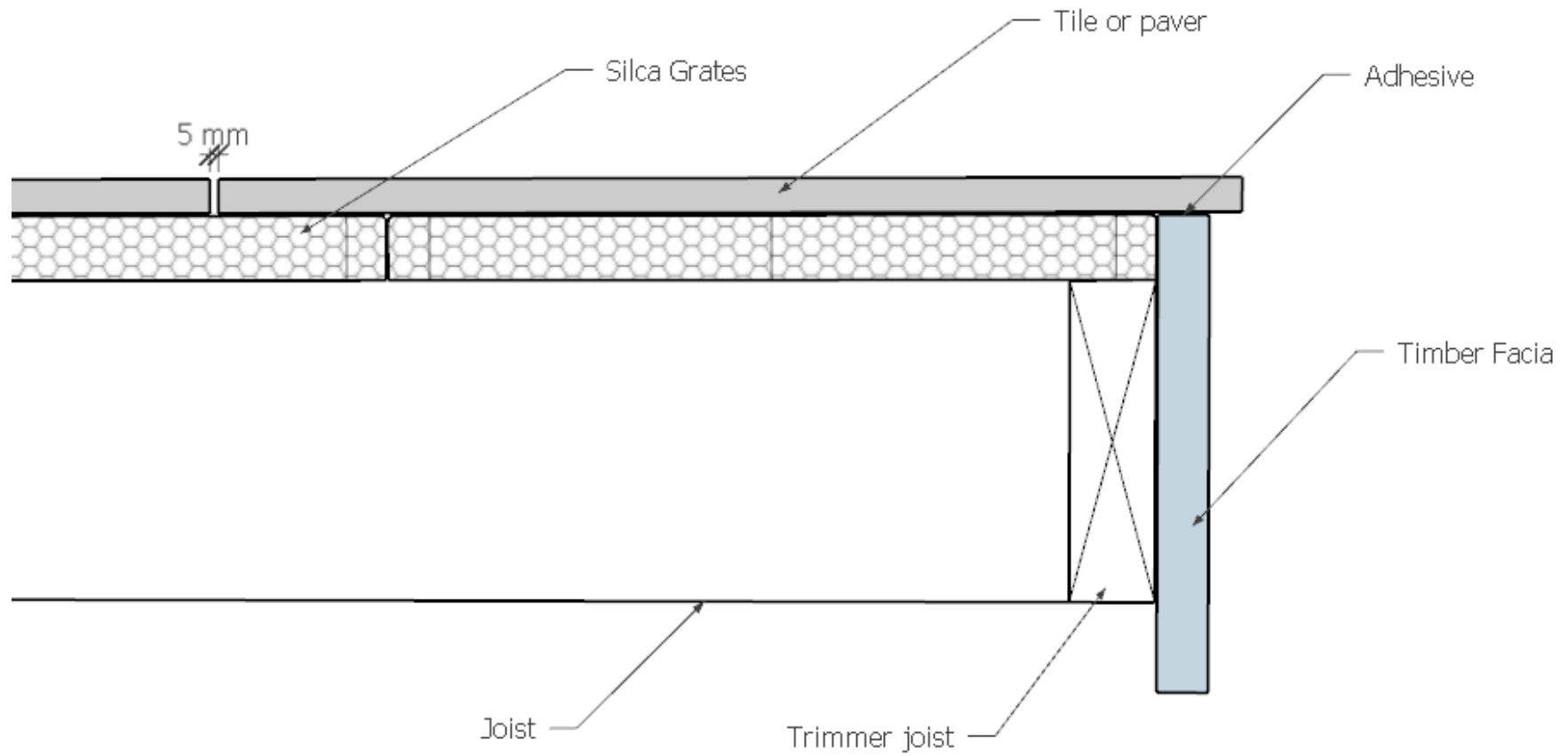
SECTION 7	Non-Concrete Pool Edge Junction	Silca System NZ



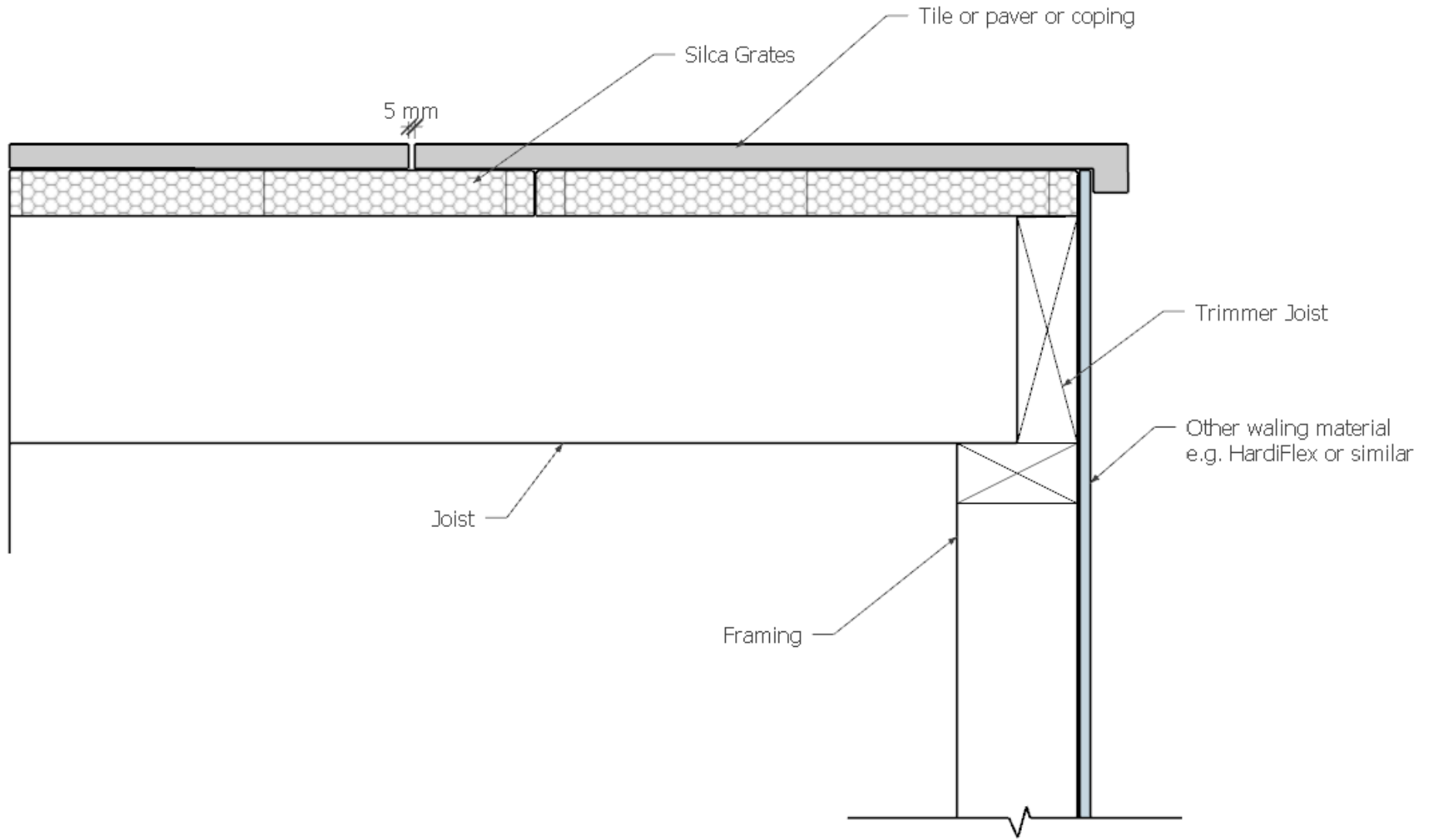
SECTION 1	Typical Edge Tile Facia	Silca System NZ



SECTION 2	Typical Edge Timber Facia #1	Silca System NZ



SECTION 3	Typical Edge Timber Fascia #2	Silca System NZ
-----------	-------------------------------	-----------------



SECTION 4	Typical Edge Other Facia	Silca System NZ