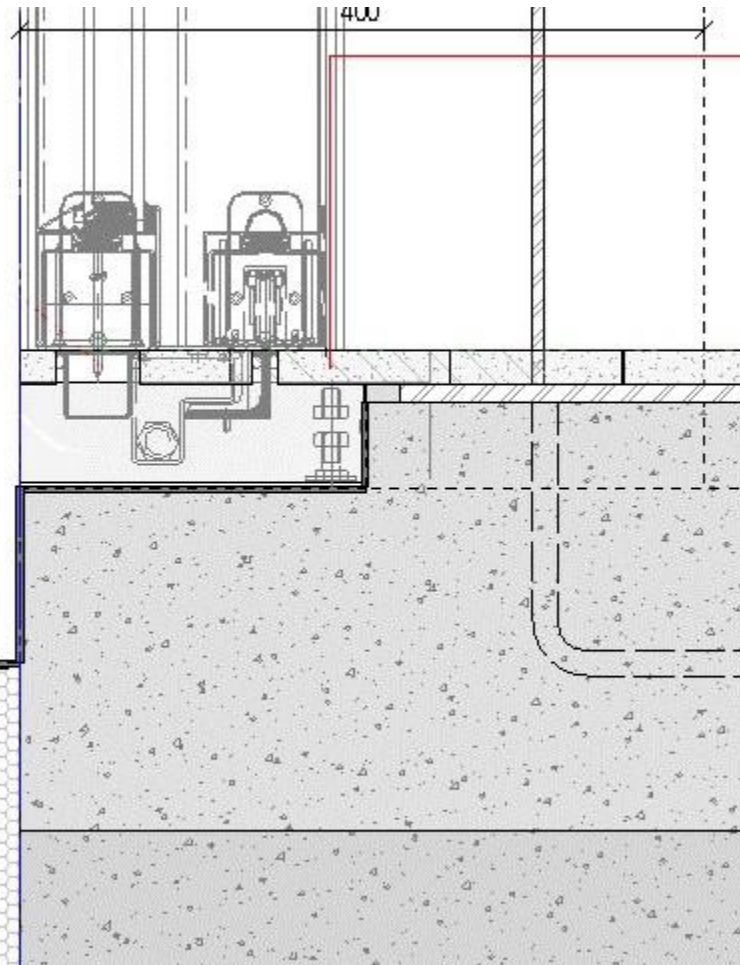
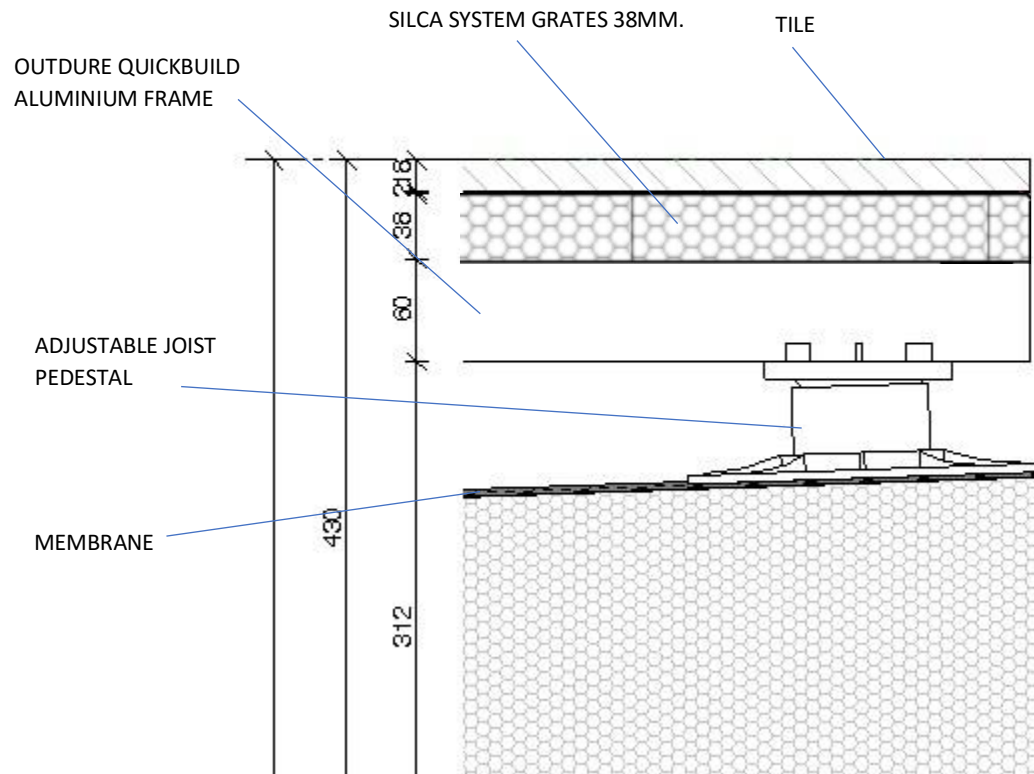
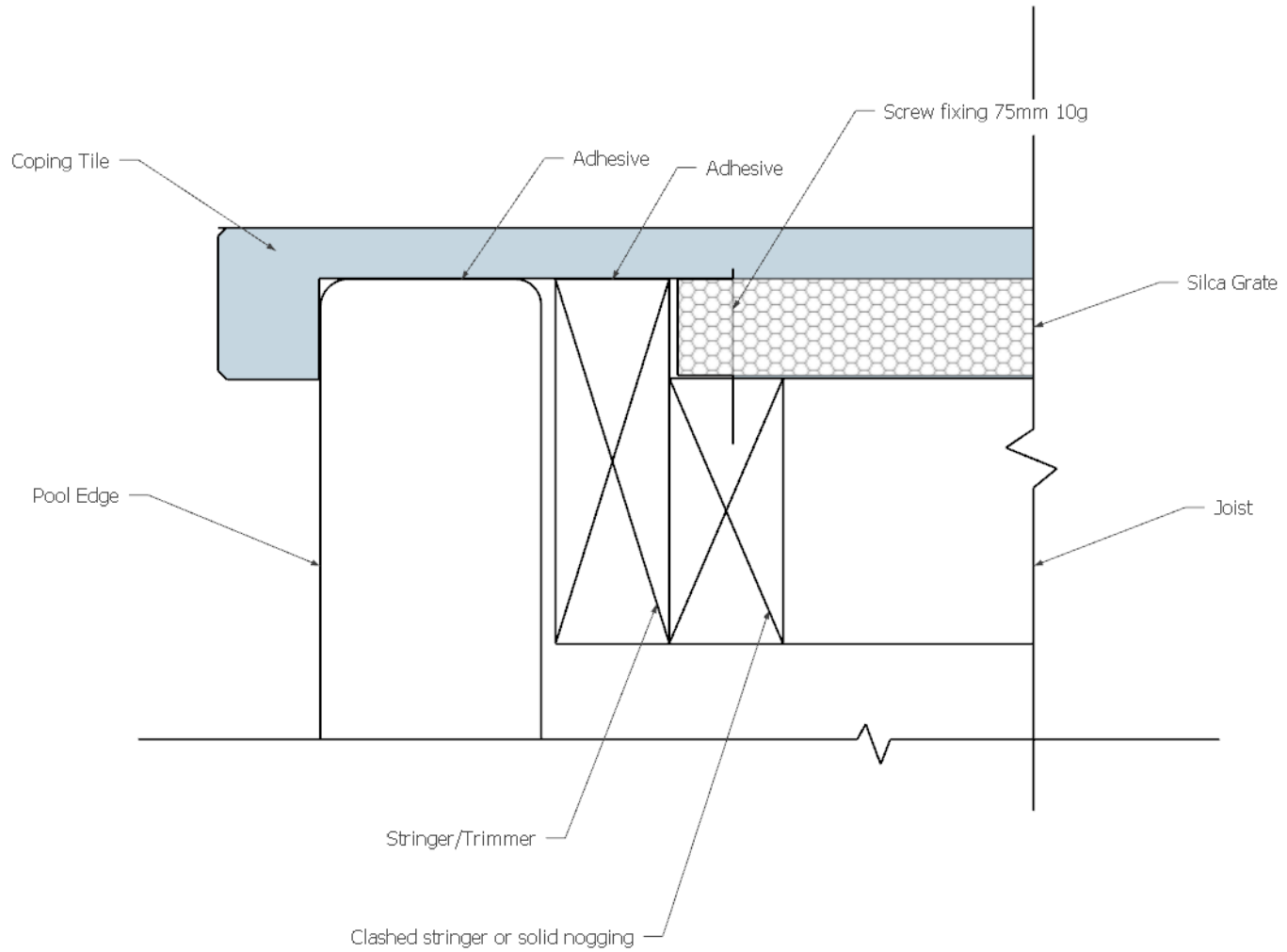


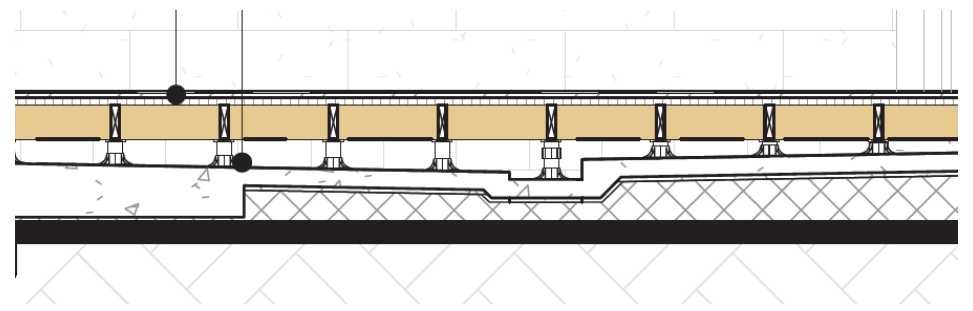
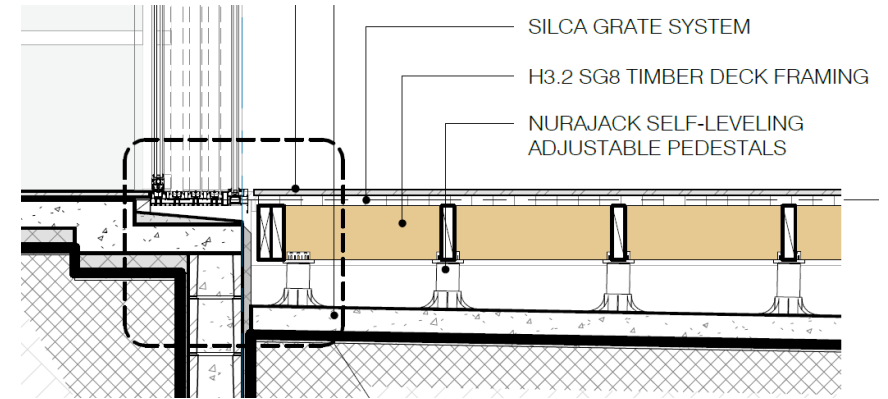
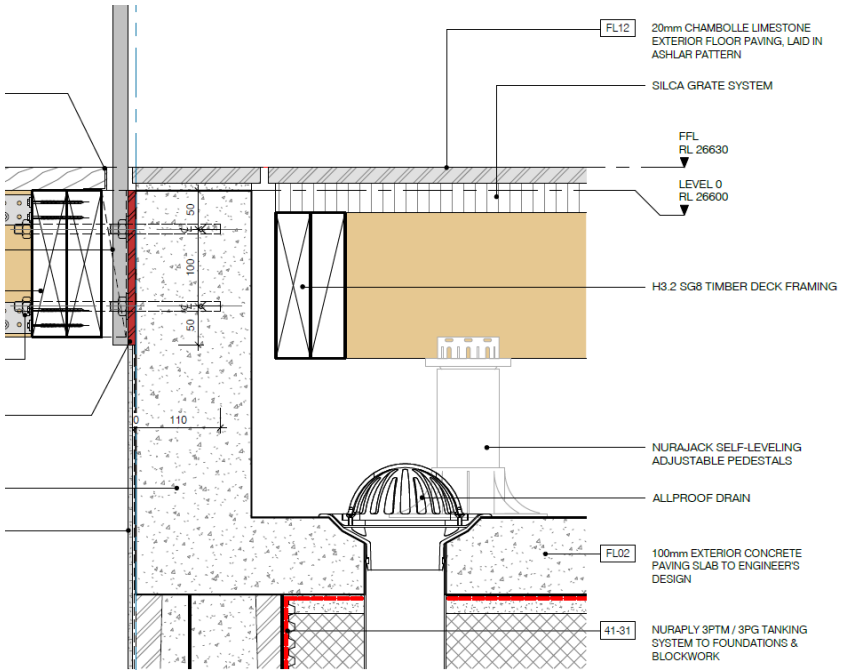
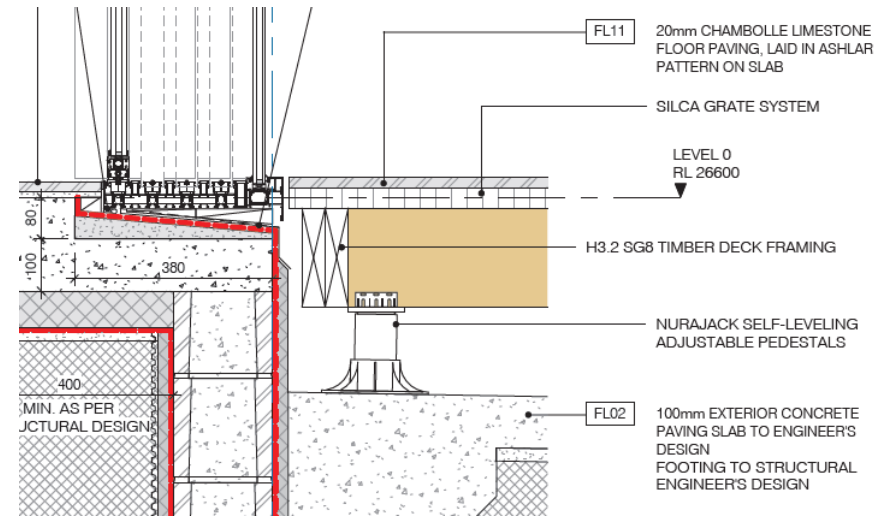
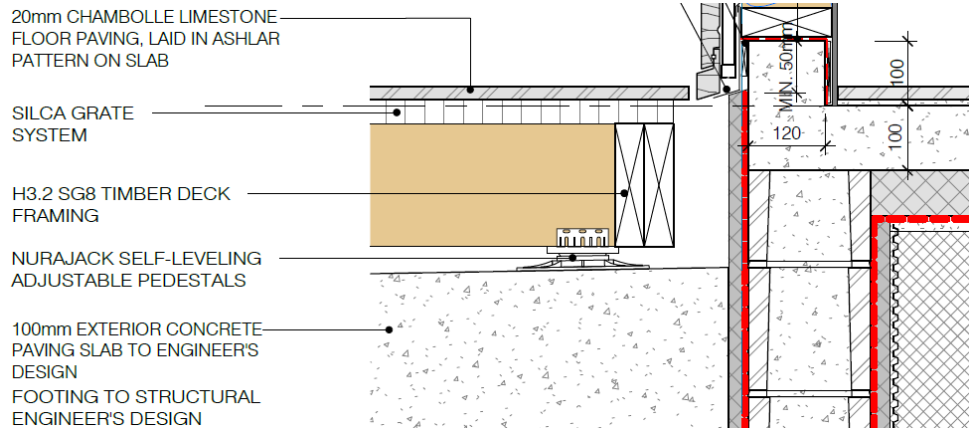
SECTION 6	Balustrade Top Mount	Silca System NZ
-----------	----------------------	-----------------



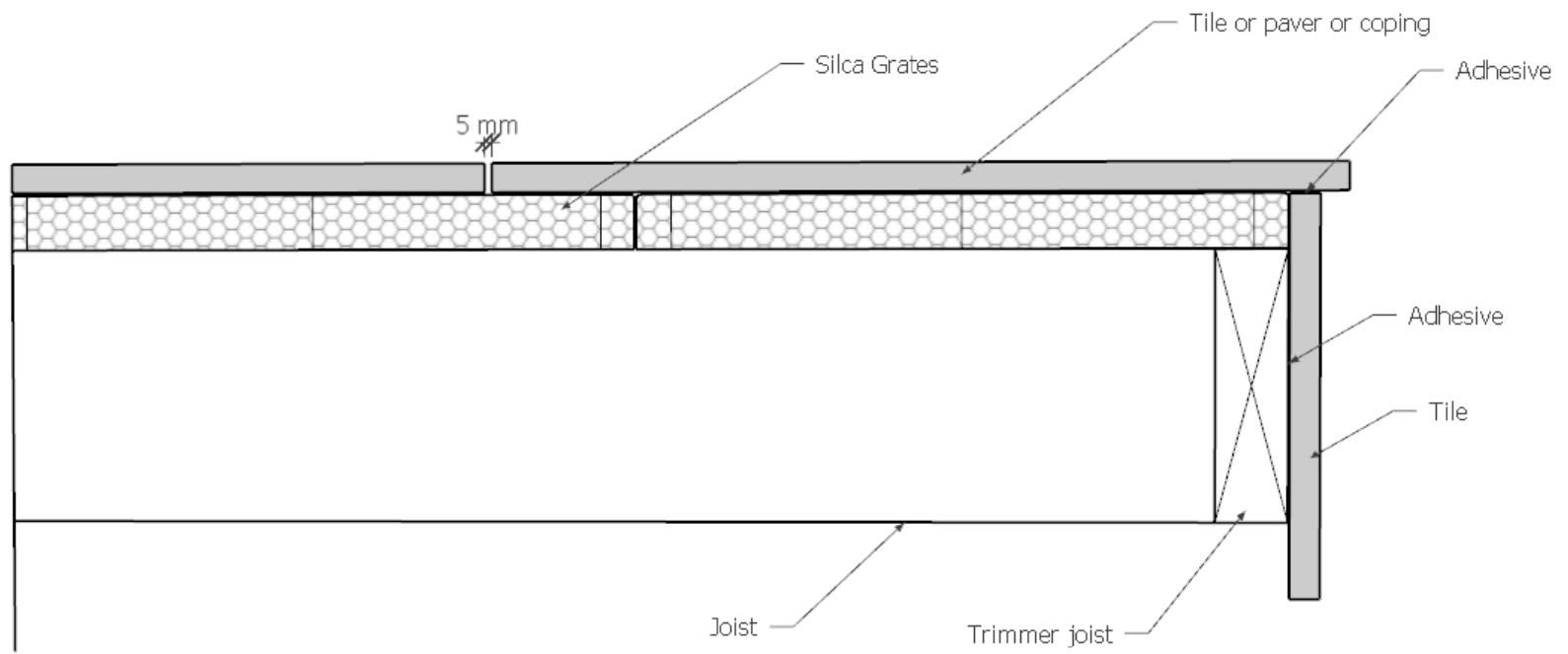
SECTION 8	TYPICAL GRATES OVER OUTDURE QWICKBUILD AT THRESHOLD	SILCA SYSTEM NZ



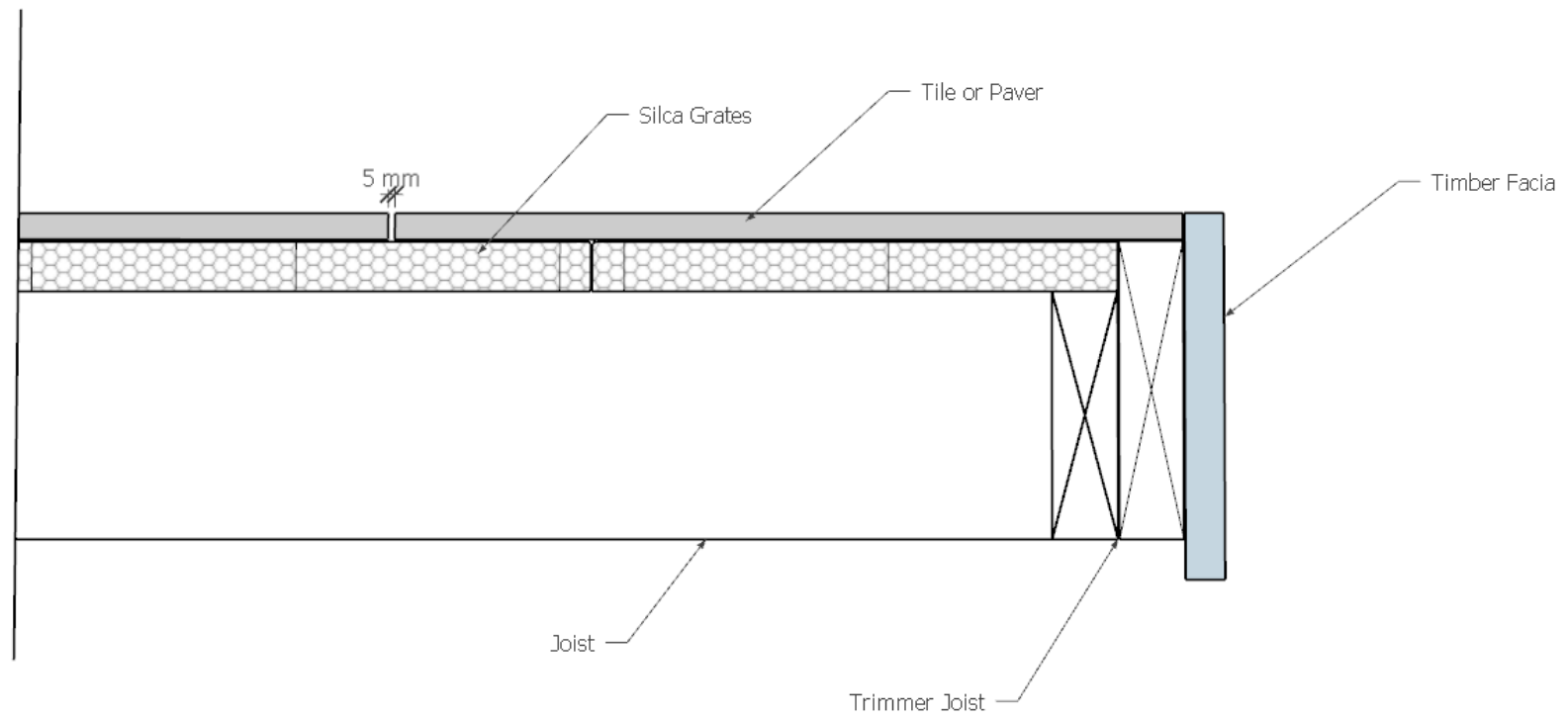
SECTION 7	Non-Concrete Pool Edge Junction	Silca System NZ



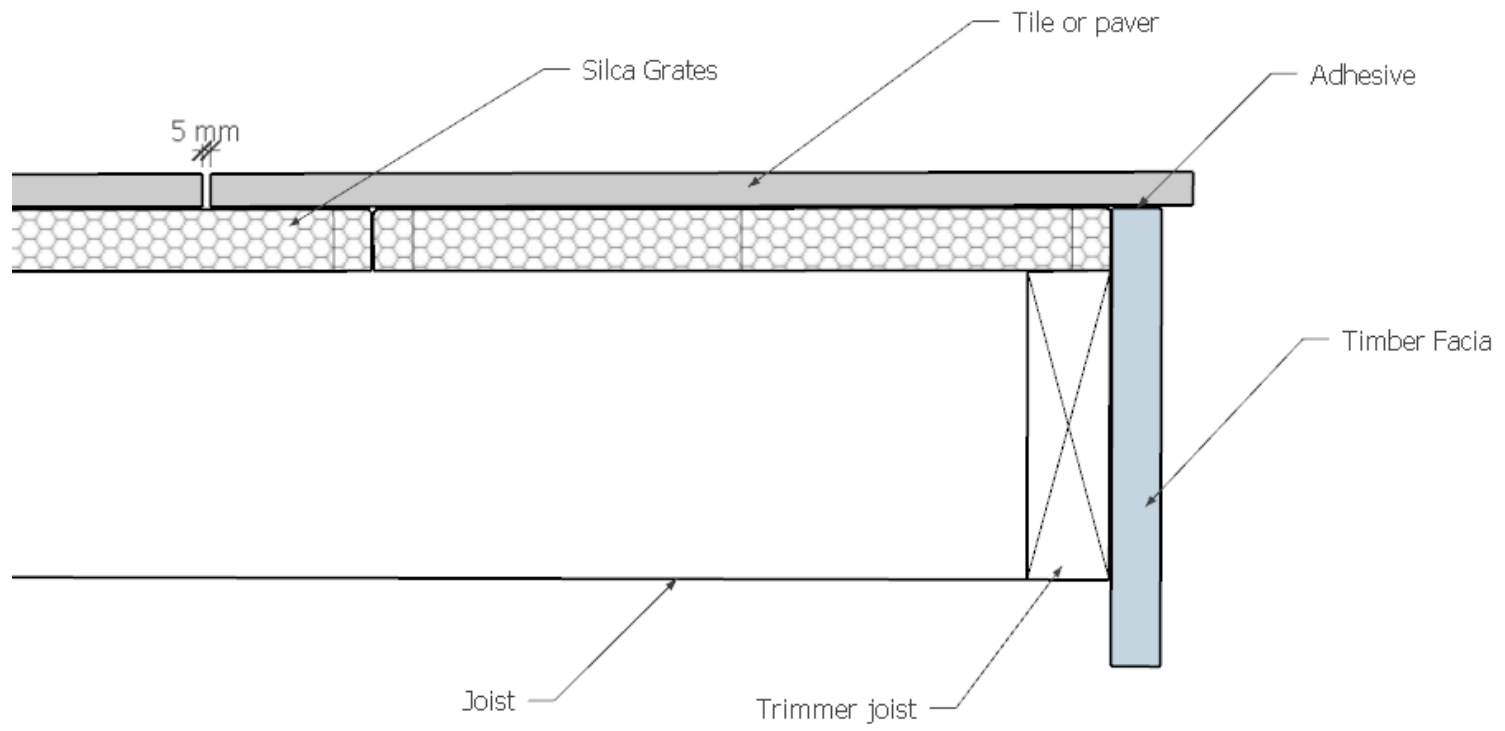
SECTION 9	FLOATING TIMBER JOIST OVER MEMBRANE	SILCA SYSTEM NZ
-----------	-------------------------------------	-----------------



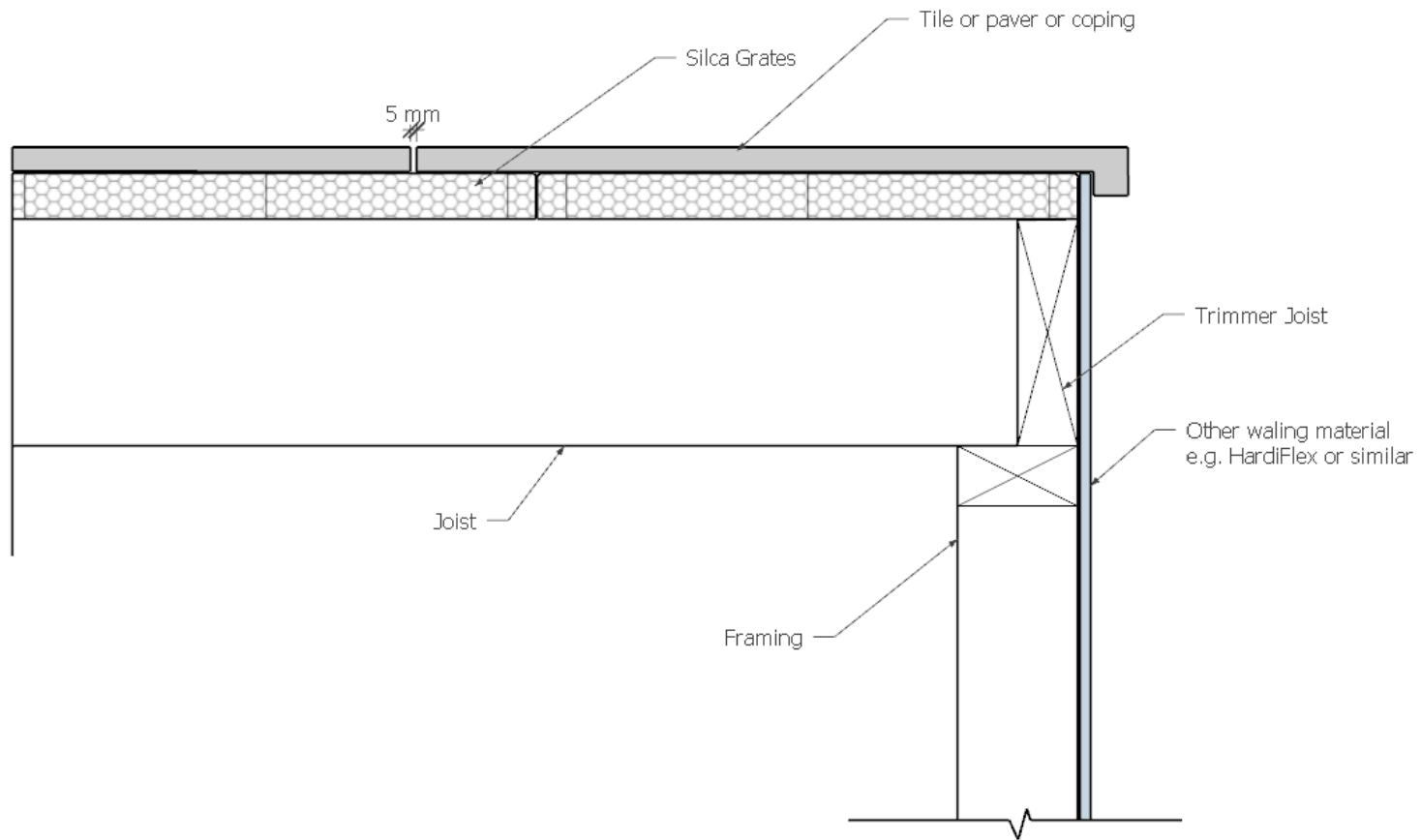
SECTION 1	Typical Edge Tile Facia	Silca System NZ



SECTION 2	Typical Edge Timber Facia #1	Silca System NZ



SECTION 3	Typical Edge Timber Facia #2	Silca System NZ



SECTION 4	Typical Edge Other Facia	Silca System NZ